



# LOOK

DOMESTIC & COMMERCIAL  
GARAGE & ENTRANCE DOORS

**TECH  
SPECS**

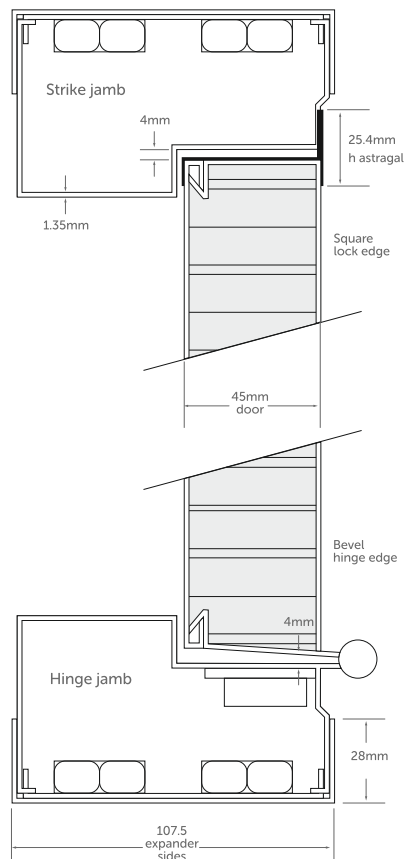
TECHNICAL SPECIFICATIONS

## BESPOKE STEEL DOORS



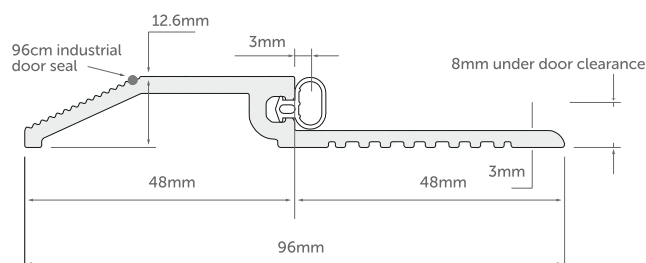
# Technical specifications

## Frame



- Manufactured from 1.6 mm thick 'Rustec' steel.\*
- Single rebate 104mm wide frame with additional rebate for flush lip.\*
- A minimum of six fully adjustable fixing points are provided to each jamb.\*
- Unique 'Adjust-2-fit' side channels with each frame.\*
- Double rebate frames are available on request.
- 3 year warranty against rust as standard for all colour coated doors.\*

## Threshold



- Aluminium threshold with neoprene seal on external outward opening doors.
- Double ramped threshold available for doors needing pallet truck access. – Require rain-drip & brush seal to prevent water ingress.
- Specialist inward opening threshold available where water ingress is an issue on inward opening doors.

## Leaf

- 45mm thick Door leaf with flush lipped astragal constructed from:
  - 2 x 1.2mm thick 'Rustec' sheets, which are Dutch bonded and internally bonded together.\*
- 42mm thick 'Hexatex' core.\*
- 3 year warranty against rust as standard for all colour coated doors.\*

## Weight

- 31kg/m<sup>2</sup> with Honeycomb core and 35kg/m<sup>2</sup> with Rockwool Core

## Door ironmongery

- BS 7352 Grade 13 stainless steel, twin bearing template drilled butt hinges with integral high security dog bolts are fitted as standard with CE marking.

## Finish

- Comes as standard in a powder coated finish in one of our standard colours.
- Full range of RAL and BS colours available.
- Marine Grade finish is available as an option in salt laden coastal or high chlorination locations.
- Full range of finishes available including, metallics and pearlescent.
- 10 year warranty against rust optional with our 'Colourtec' coating.

## Seals

- Self adhesive P-seal provided as standard.

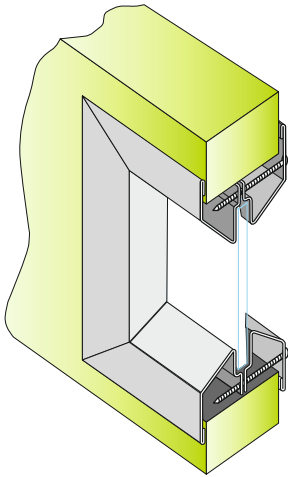
## Side panels and over panels (optional)

- Solid, Glazed and Louvred side and over panels available.

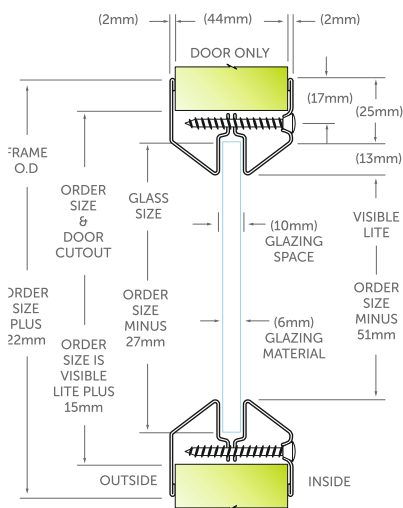


**LOOK**  
DOMESTIC & COMMERCIAL  
GARAGE & ENTRANCE DOORS

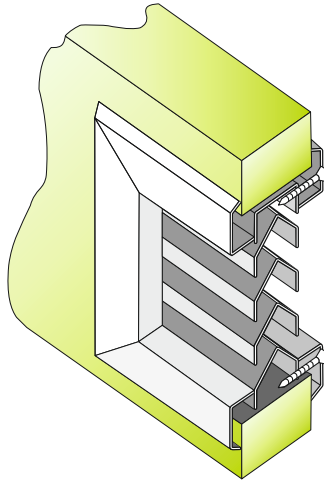
## Vision panels (optional)



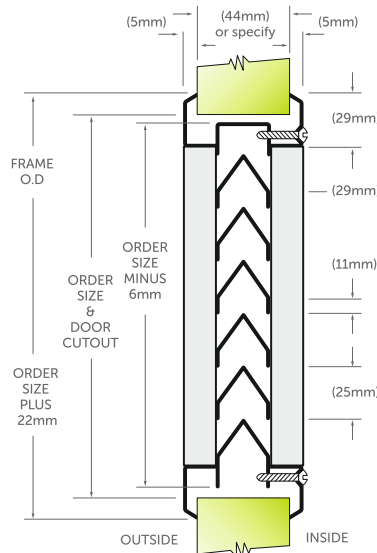
- 20GA Cold Rolled Steel – Stainless Steel available upon request.
- Single and Double glazed.
- 6mm GWPP/ 6.4mm Laminated / 6mm Toughened / 9mm Ceramic.
- Obscured and frosted options on request.
- 22mm Double Glazed units.



## Louvre panels (optional)



- 18GA Galvanised Steel – frame.
- 22GA Galvanised Steel – louvre blades.
- 50% Free air flow in standard configuration.
- Bird Mesh and Insect Mesh available.
- 36% Free air flow when using insect mesh.



For security most doorsets in the range are tested to PAS 24. For air permeability, the standard is BS EN1026:2000 and was passed class 4 – 600Pa (113kmh) test pressure. For weather-tightness, the standard is BS 6375: Part 1: 2009 (test to BS EN1026:2000, BS EN1027:2000, BS EN12211:2000) and Steeldor passed the 1200 exposure rating. For water-tightness, the standard BS EN1027:2000 was passed 150Pa for outward opening and 100Pa for inward opening. For wind load the BS EN12211:2000 standard was passed 1200Pa (Class A3) 98 mph.

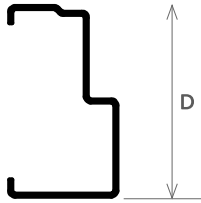
\* Available on most doorsets in the range.



**LOOK**  
DOMESTIC & COMMERCIAL  
GARAGE & ENTRANCE DOORS

# Door options and extras

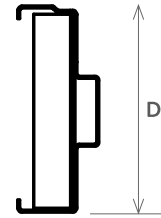
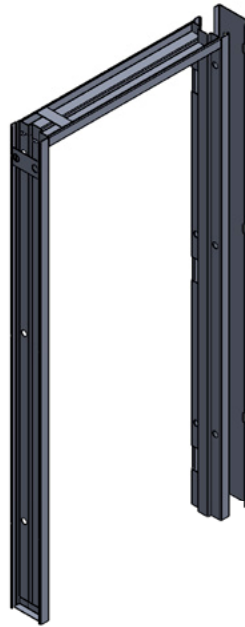
## Steeldor frame options



Standard single rebate frame assembly

Size	Depth (D)
Min	80mm
Max	250mm

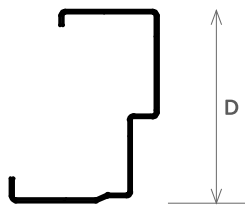
Durable, tough and easy to fit, this is our most popular frame. Fabricated from strong, lightweight high tensile steel and finished with a high quality powder coating. The superb Adjust-2-Fit side expanders come as standard offering 6 adjustable fixing points per side. This frame demonstrates our vision to make life easy for the installer.



Standard double rebate frame assembly

Size	Depth (D)
Min	130mm
Max	300mm

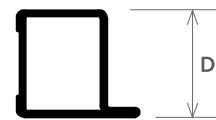
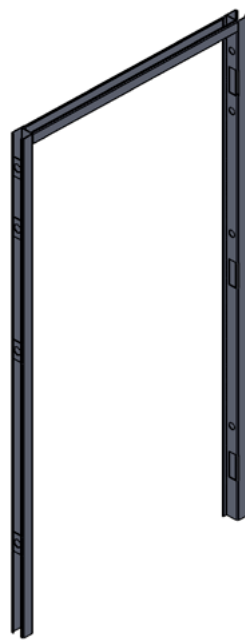
Similar in design to the single, the double rebate frame shares many of its features, but is more distinguished for installations that require wider frames. Available up to 300mm deep, this frame is sleek and unobtrusive, the additional folds on the design adding rigidity and strength to wider openings.



Standard flange frame assembly

Size	Depth (D)
Min	116mm
Max	116mm

The flange frame is a popular alternative to the single rebate frame, finding favour with modular building manufacturers who appreciate buildings with a neat exterior, flanged finish. Ideally suited to this cutting edge sector of the construction industry, this versatile frame is easy to fit and durable.



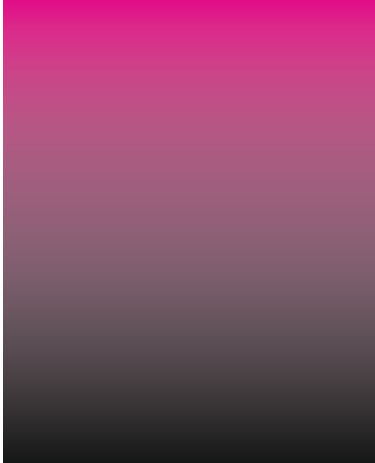
Standard 50mm frame assembly

Size	Depth (D)
Min	50mm
Max	50mm

Our narrowest frame is available for use with a 44mm door leaf. Initially designed for use with 50mm internal partitioning systems, this frame is ideal for use on modular concepts such as clean rooms, offices and production area partitioning. The 50mm frame perfectly matches and complements internal partitioning systems.



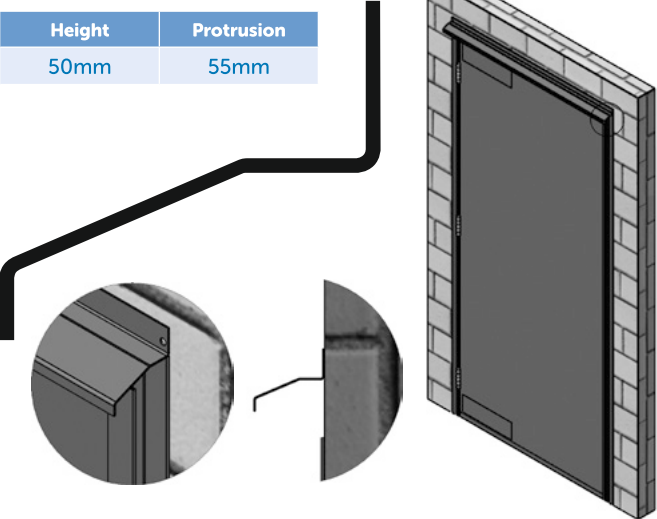
**LOOK**  
DOMESTIC & COMMERCIAL  
GARAGE & ENTRANCE DOORS



# Steeldor rain drip options

## Rain drip small

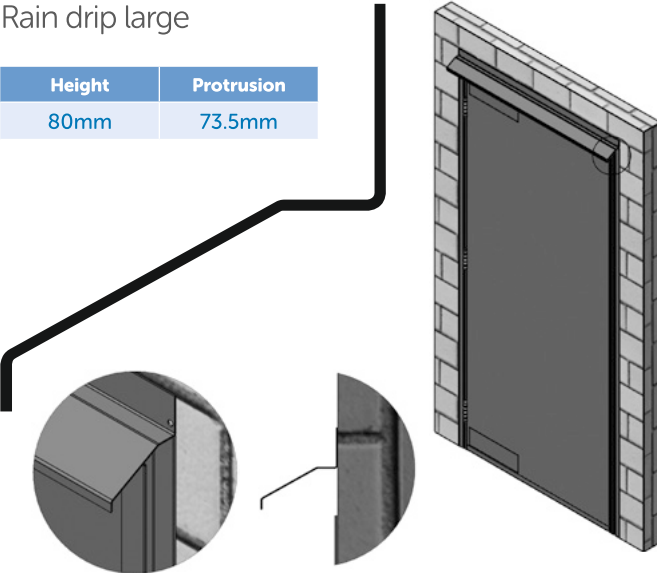
Height	Protrusion
50mm	55mm



This smaller, powder coated steel rain drip protrudes 55mm from the door leaf. It is mounted above the door, onto the wall over the header. Protecting the door from the adverse effects of rain water running down the exterior of the building onto the finished surface of the door leaf.

## Rain drip large

Height	Protrusion
80mm	73.5mm



Offering more protection than the smaller model, this powder coated steel rain drip protrudes 73.5mm from the door leaf. It is similarly mounted above the door, onto the wall over the header. Protecting the door from the adverse effects of rain water running down the exterior of the building onto the finished surface of the door leaf.



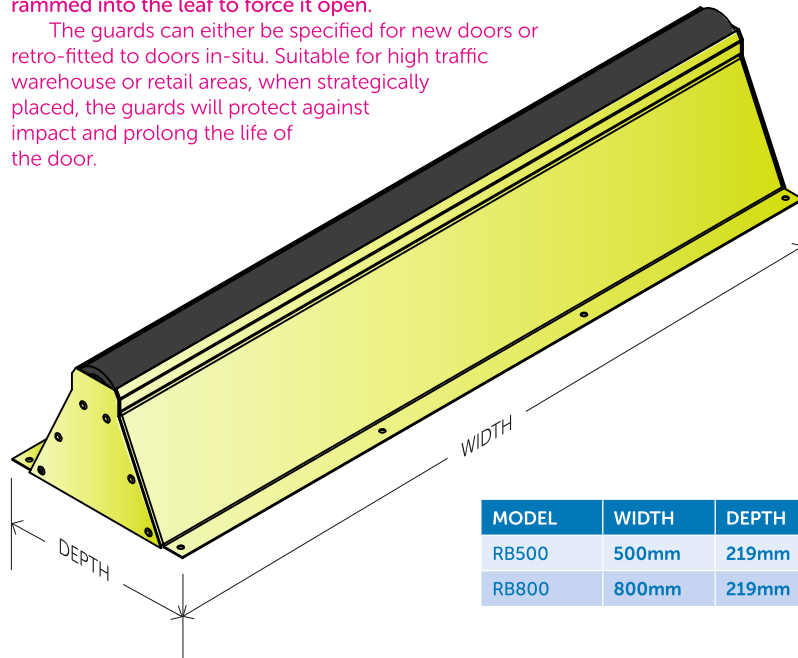


# Door options and extras

## Trolley guard

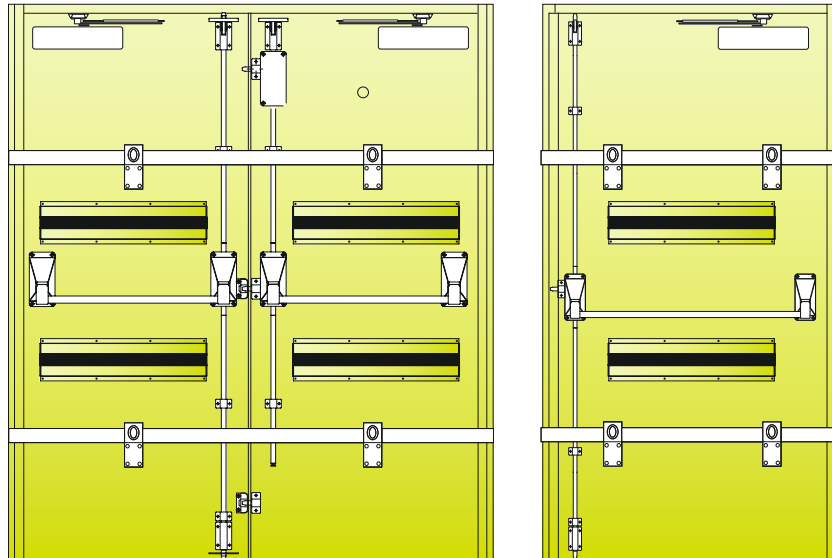
The trolley guard is specifically designed to protect steel doors from the damage associated with trolleys being rammed into the leaf to force it open.

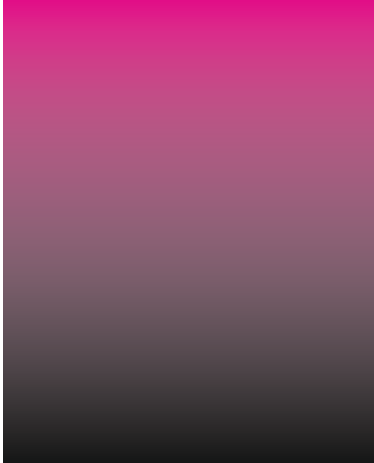
The guards can either be specified for new doors or retro-fitted to doors in-situ. Suitable for high traffic warehouse or retail areas, when strategically placed, the guards will protect against impact and prolong the life of the door.



MODEL	WIDTH	DEPTH
RB500	500mm	219mm
RB800	800mm	219mm

## Typical application

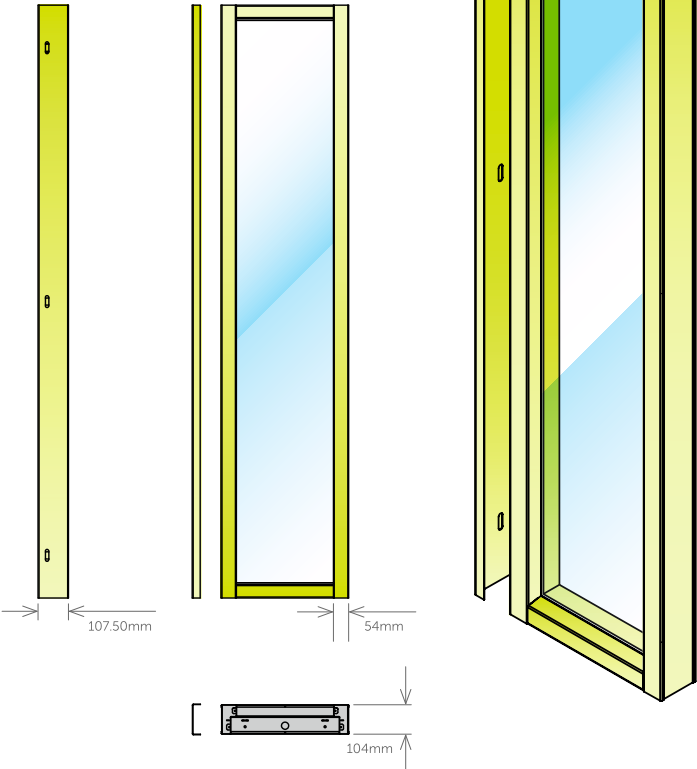




# Glazed side panel

Single and double glazed side and over panels can be manufactured to size with your choice of glazing as follows:

- 6mm GWPP/ 6.4mm Laminated / 6mm Toughened / 9mm Ceramic.
- Obscured and frosted options on request.
- 22mm Double Glazed units.



# Standard RAL colours

These stocked powder coating colours represent a selection of all those that are available.

1001 Beige	1003 Signal Yellow	1013 Oyster White	<p>To ensure maximum durability, Steeldor is supplied in a high quality finish powder coating. At no extra cost. A full range of and BS colours are available. Strongdor is an approved C5 marine grade specialist, providing unmatched corrosion resistance in doors supplied to highly corrosive and saline environments.</p>			1015 Light Ivory	
1016 Sulfur Yellow	1017 Saffron Yellow	1018 Zinc Yellow				1021 Colza Yellow	
1023 Traffic Yellow	2002 Vermilion	210 8010 Blue	3001 Signal Red	3003 Ruby Red	3004 Purple Red	3005 Wine Red	
3011 Brown Red	3028 Pure Red	4005 Blue Lilac	4007 Purple Violet	4008 Signal Violet	5002 Ultramarine Blue	5003 Sapphire Blue	
5004 Black Blue	5005 Signal Blue	5007 Brilliant Blue	5008 Grey Blue	5009 Azure Blue	5010 Gentian Blue	5012 Light Blue	
5013 Cobalt Blue	5014 Pigeon Blue	5017 Traffic Blue	5018 Turquoise Blue	5020 Ocean Blue	5021 Water Blue	5024 Pastel Blue	
6001 Emerald Green	6002 Leaf Green	6007 Bottle Green	6016 Turquoise Green	6017 May Green	6018 Yellow Green	6020 Chrome Green	
6028 Pine Green	6029 Mint Green	6034 Pastel Turquoise	7000 Squirrel Grey	7001 Silver Grey	7004 Signal Grey	7005 Mouse Grey	
7010 Tarpaulin Grey	7011 Iron Grey	7012 Basalt Grey	7013 Brown Grey	7015 Slate Grey	7016 Anthracite Grey	7022 Umbra Grey	
7023 Concrete Grey	7024 Graphite Grey	7026 Granite Grey	7038 Agate Grey	7040 Window Grey	7042 Traffic Grey A	7043 Traffic Grey B	
7044 Silk Grey	7045 Telegrey 1	7047 Telegrey 4	<b>Paint Options</b>			7048 Pearl Mouse Grey	8001 Ochre Brown
8011 Nut Brown	8015 Chestnut Brown	8016 Mahogany Brown	<p><b>Marine Grade Paint   Single</b></p> <hr/> <p><b>Marine Grade paint   Double</b></p> <hr/> <p><b>CSi Marine Grade Door   Single</b></p> <hr/> <p><b>CSi Marine Grade Door   Double</b></p> <hr/>			8022 Black Brown	8022 Black Brown
8028 Terra Brown	8080 Dark Bronze	9001 Cream	<p><b>PLEASE NOTE:</b> These colours are for reference only and are an approximation of the true colours. The quality, type and settings of the output device used to display this page will also affect the visible colour. Some colours may be subject to an additional cost. Door-sets that are installed in extreme locations, ie, coastal areas etc, may require special paint applications. Our sales staff can advise accordingly. Failure to notify/specify these applications can result in the negation of the Strongdor guarantee.</p>			9002 Grey White	9004 Signal Black
9005 Black	9006 White Aluminium	9007 Grey Aluminium				9010 White	9011 Graphite Black
9016 Traffic White	9017 Traffic Black	9023 Pearl Dark Grey					

Please ask if you cannot see the colour you need.

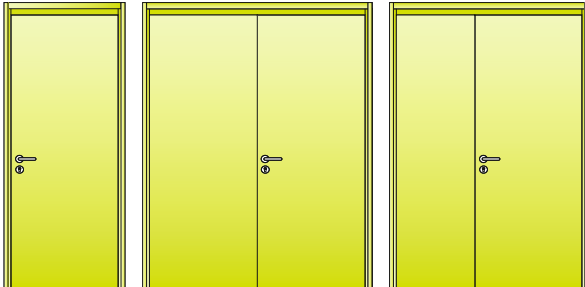


**LOOK**  
DOMESTIC & COMMERCIAL  
GARAGE & ENTRANCE DOORS



# Door configurations

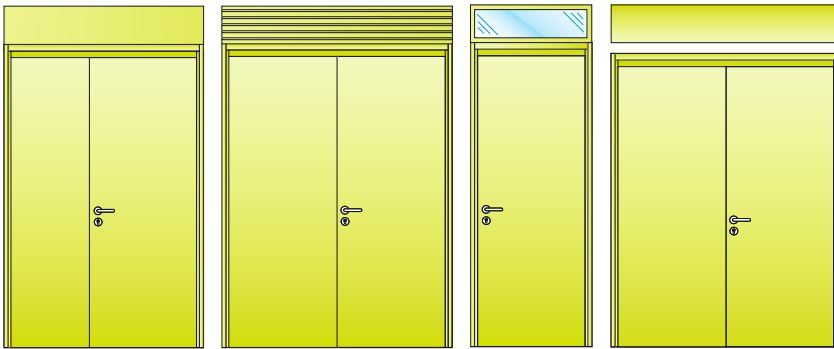
## Door types and panel options



Single door

Double door

Leaf and a half

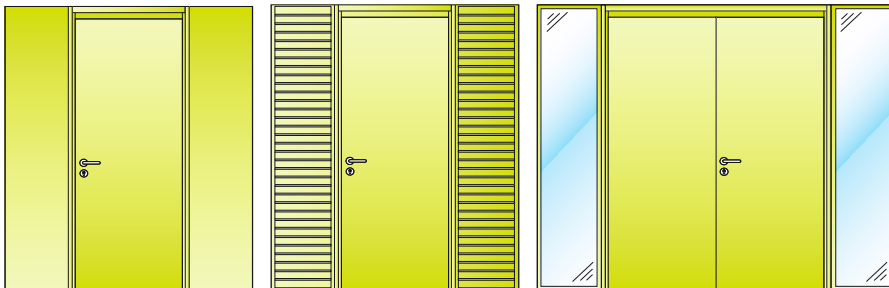


Solid overpanel

Louvred overpanel

Glazed overpanel

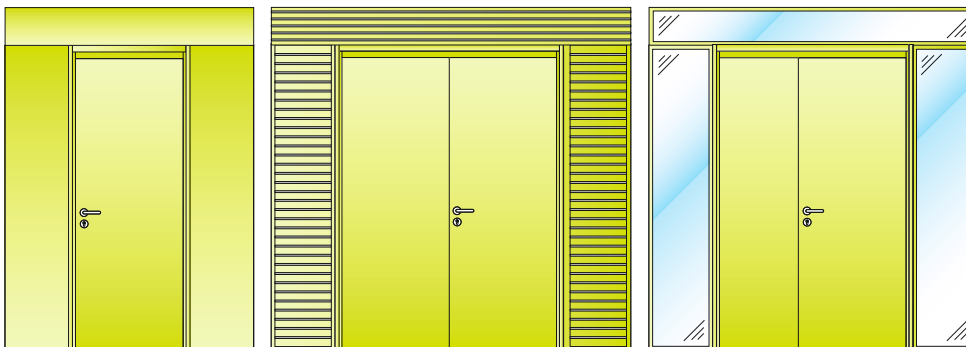
Detachable overpanel



Solid sidepanels

Louvred sidepanels

Glazed sidepanels



Solid overpanel and sidepanels

Louvred overpanel and sidepanels

Glazed overpanel and sidepanels

Steeldor can be configured for use as both personnel doors and emergency exits. The single, double and leaf and a half door-sets can also be supplied with bespoke side and overpanels.

Fixed, glazed, louvred or detachable panels, the illustrations on the following pages are set out to give an example of the most common choices of Steeldor design and is only representative of the many options available.

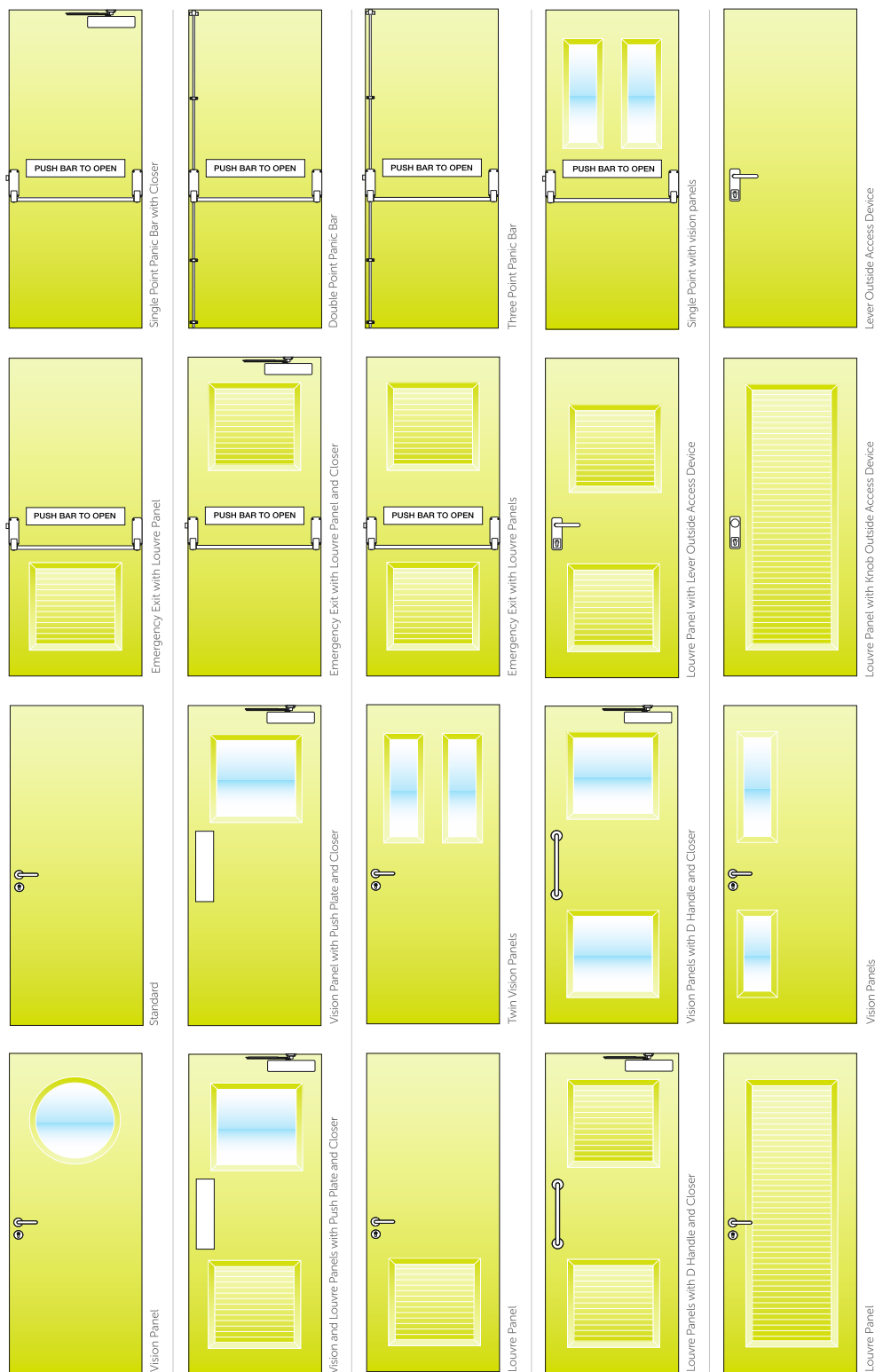
If you are unsure, or have a question, then please talk to one of our expert sales team, who will be able to advise and guide you.



**LOOK**  
DOMESTIC & COMMERCIAL  
GARAGE & ENTRANCE DOORS

# Door configurations

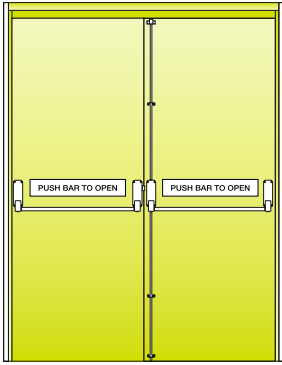
## Indicative single door configurations.



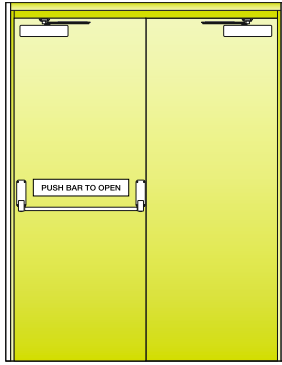
Representative double door selection only. Other configurations available on request.



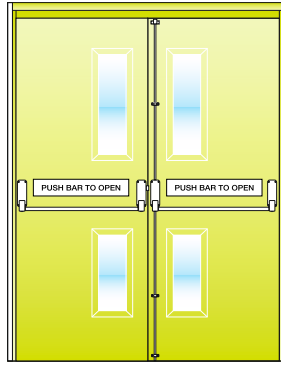
# Indicative double door configurations.



Single and Three Point Panic Bar



Single Point Panic Bar and Closers



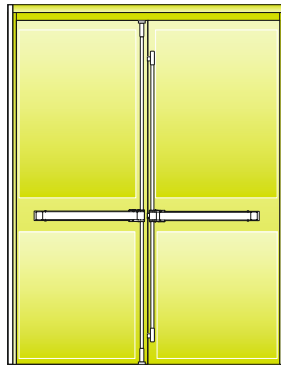
Single and Three Point Panic Bar with Vision Panels



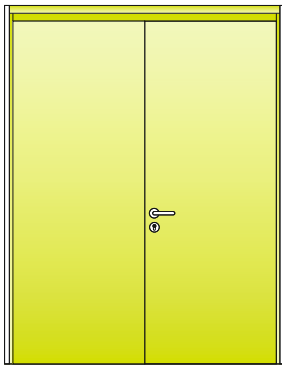
Lever Outside Access Device and Louvre Panels



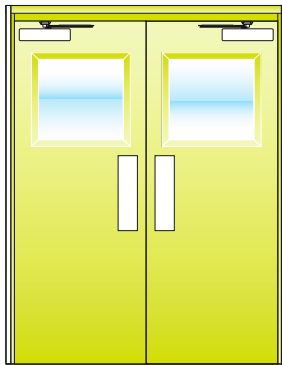
Knob Outside Access Device and Louvre Panels



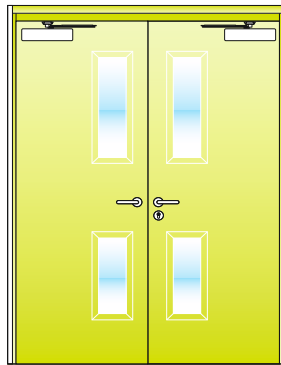
Dorma Contour Panic Bars and Rebound Panels



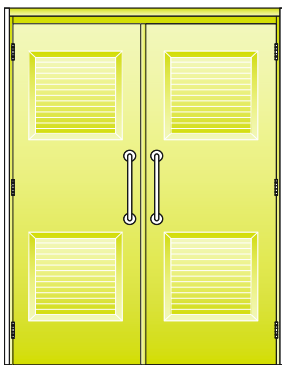
Lever Handle



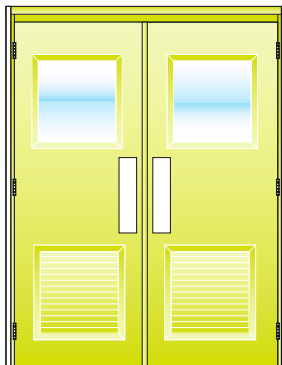
Push Plates, Vision Panels and Closers



Lever Handles, Vision Panels and Closers



D Handles and Louvre Panels



Push Plates, Louvre and Vision Panels



Lever Handle and Louvre Panels

Representative single door selection only. Other configurations available on request.



**LOOK**  
DOMESTIC & COMMERCIAL  
GARAGE & ENTRANCE DOORS